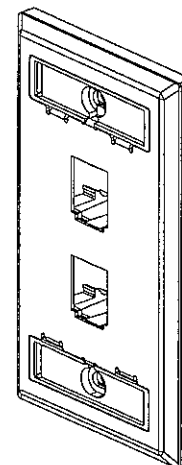
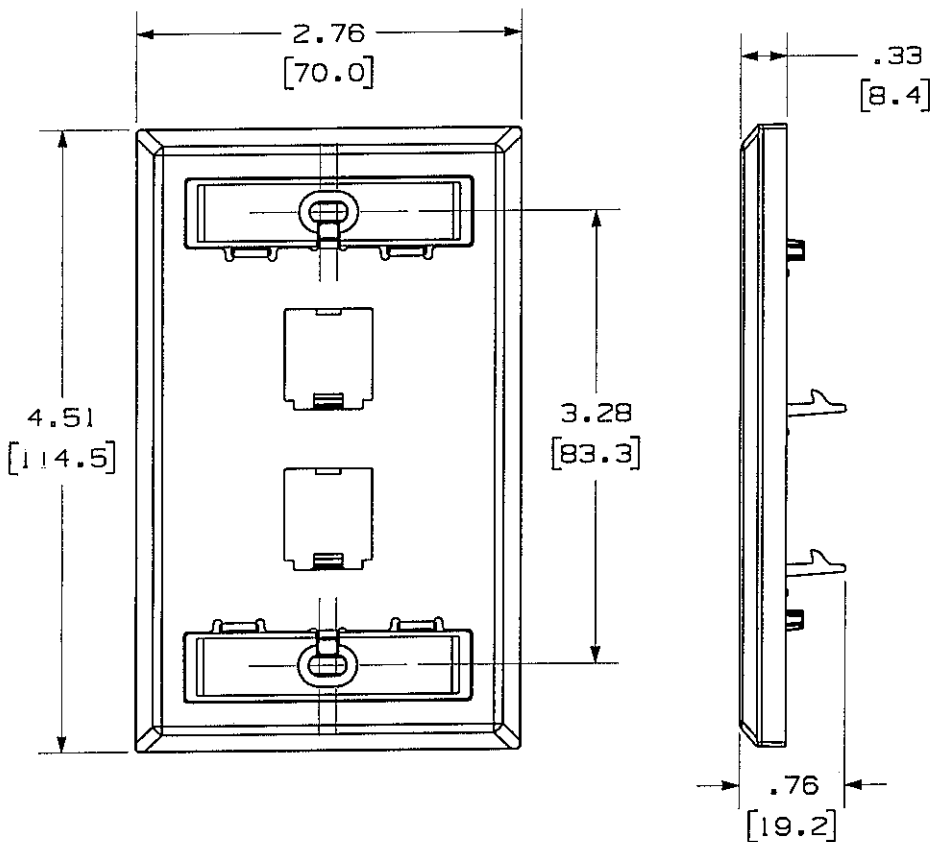


THIS COPY IS PROVIDED ON A RESTRICTED BASIS AND IS NOT TO BE USED IN ANY WAY DETRIMENTAL TO THE INTERESTS OF PANDUIT CORP.

PANDUIT P/N	WEIGHT
CFPL2SY	1.0 LB/10 PCS (458.1g/10 PCS)

NOTES:

- SEE CURRENT CATALOG FOR ADDITIONAL PART NUMBER SUFFIXES TO INDICATE COLOR AND OR PACKAGE QUANTITY.
- SEE CATALOG FOR COMPLETE LIST OF PARTS APPLICABLE FOR USE WITH THIS PART.
- DIMENSIONS IN PARENTHESES ARE IN METRIC.
- PART INCLUDES:
  - FACEPLATE
  - #6-32 X 1" MOUNTING SCREWS
  - LABEL
  - LABEL COVER



MODEL FILENAME	M02093AD_CFPL2S_03.PRT	SIZE	A
DRAWING FILENAME	M02479F1_DC141_00A.PRT		

NETWORK SYSTEMS  
 MAY 25 2006  
 ENGINEERING DEPT

MINI-COM 2 POSITION STAINLESS STEEL FACEPLATE WITH LABEL CUSTOMER DRAWING

**PANDUIT**™  
 CORP.  
 TINLEY PARK, ILL 60477

I.I. NUMBER	N/A
PRODUCT SPEC	N/A
WORK INSTRUCTION	N/A
SCALE	NONE
PART NO.	CFPL2SY
DRAWING NO.	02479-141

ALL DIMENSIONS ARE GIVEN IN INCHES, UNLESS OTHERWISE SPECIFIED.  
 DIMENSIONAL TOLERANCES ARE:  
 (.X) ± (.XXX) ± .010(.3)  
 (.XX) ± .03(.8) ANGLES ±

THIRD ANGLE PROJECTION	
DRAWN BY	JsP
DATE	3-14-06
CHECKED	JCO
MATERIAL:	FACEPLATE- STAINLESS STEEL BACKING- ABS

REV	DATE	BY	CHK	DESCRIPTION	ECN	R	CUST	SUP	OTH
R	3-14-06	JsP	JCO	RELEASED TO PRODUCTION	02479-141	JCO	JCO		